

# Data Sheet

Excel Life™

## Electresafe RCD Switch Plate

CAT NO. **ECEL10N2WE**



<b>Cat No</b>	<b>ECEL10N2WE</b>
<b>Description</b>	Excel Life™ Electresafe RCD Switch Plate
<b>Supply voltage</b>	230-240V a.c.
<b>Frequency</b>	50Hz
<b>Maximum current</b>	20A
<b>Maximum tripping current</b>	10mA
<b>Tripping time</b>	30mSec
<b>Withstand rating</b>	6kA*
<b>Power supplied LED</b>	Yes
<b>Power available LED</b>	Yes
<b>Colour</b>	White
<b>Operating temperature</b>	5° to 35° C
<b>Standard</b>	AS/NZS 3003 / NZE CP-12

\* With 20A current-limiting fuse or MCB.

# Excel Life™ Electresafe RCD Switch Plate

CAT NO. **ECEL10N2WE**



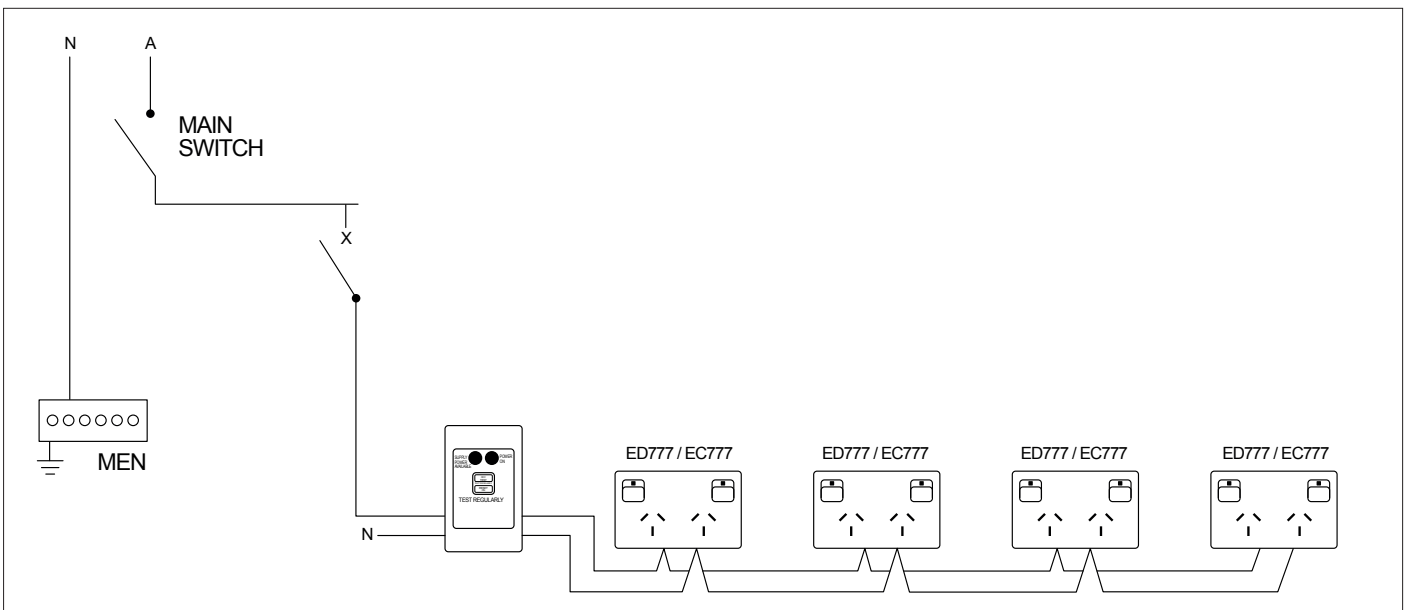
Product specifications	
<b>Cat No</b>	ECEL10N2WE
<b>Supply voltage</b>	230-240V a.c.

Single product	
<b>Cat No</b>	<b>Barcode</b>
ECEL10N2WE	9321001425021

Outer box (QTY 4)	
<b>Cat No</b>	<b>Barcode</b>
ECEL10N2WE	9321001425038

- Hardwired RCD protection safety switch
- Suitable for domestic, commercial and medical applications
- High-sensitivity, 10mA tripping current
- Power Available and Power on Neon indicators
- Does not trip on mains failure

## Wiring:



HPM Legrand - AUS  
1300 369 777  
www.legrand.com.au  
ABN 31 000 102 661

HPM Legrand - NZ  
0800 476 009  
www.legrand.co.nz

Refer to your group buying office, HPM Legrand Sales Representative or HPM Legrand Sales Office for pricing.

Please note: specifications are subject to change without prior notice.